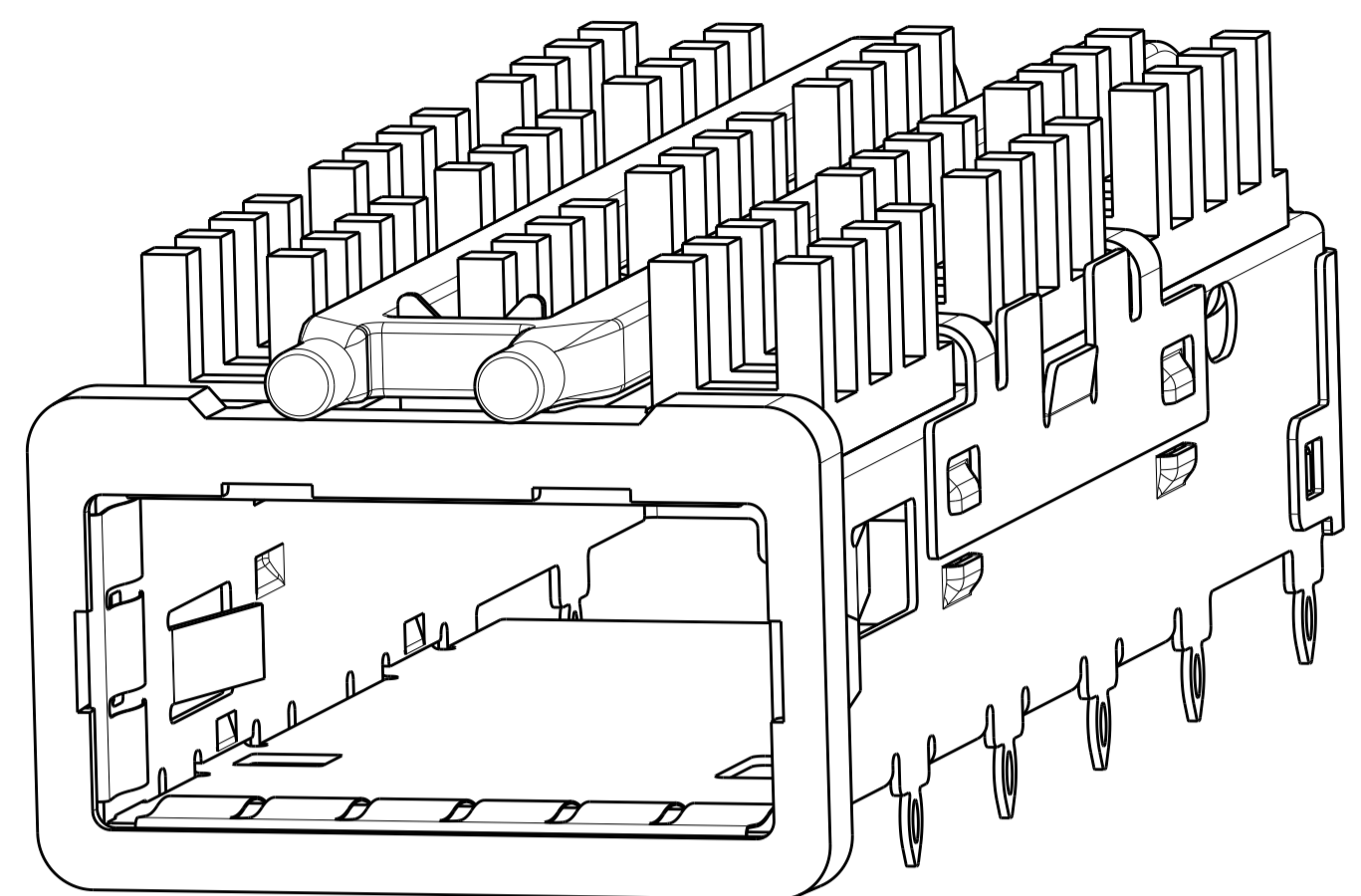
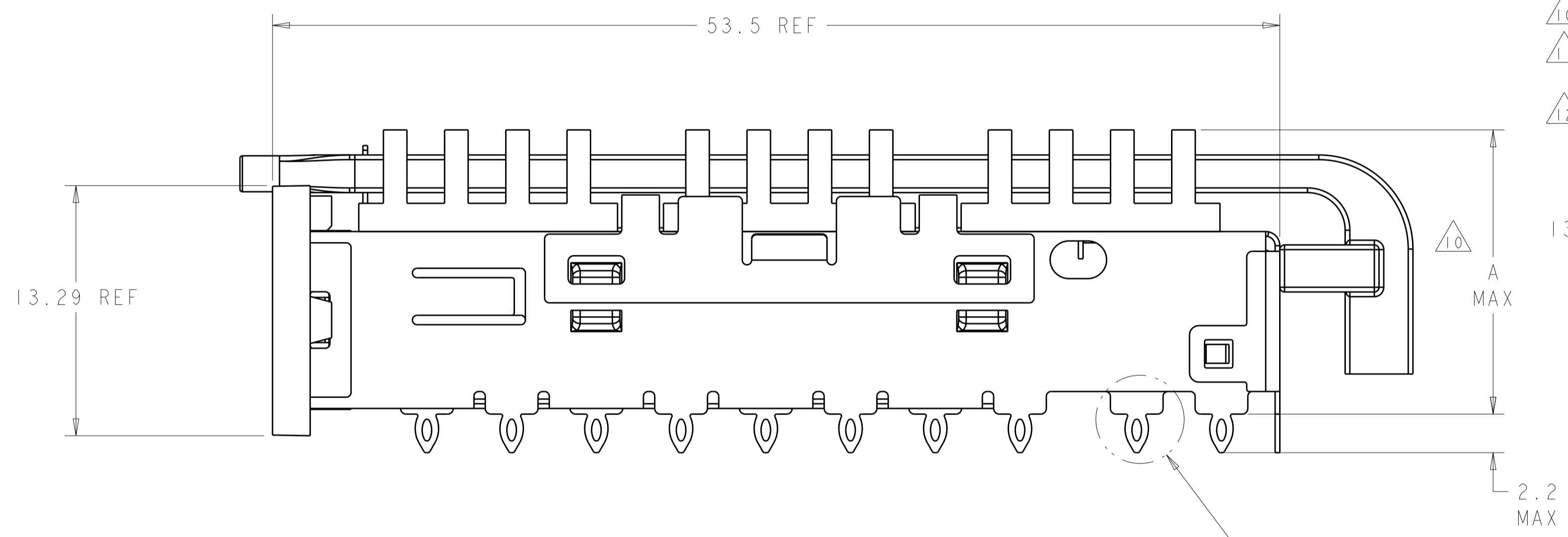
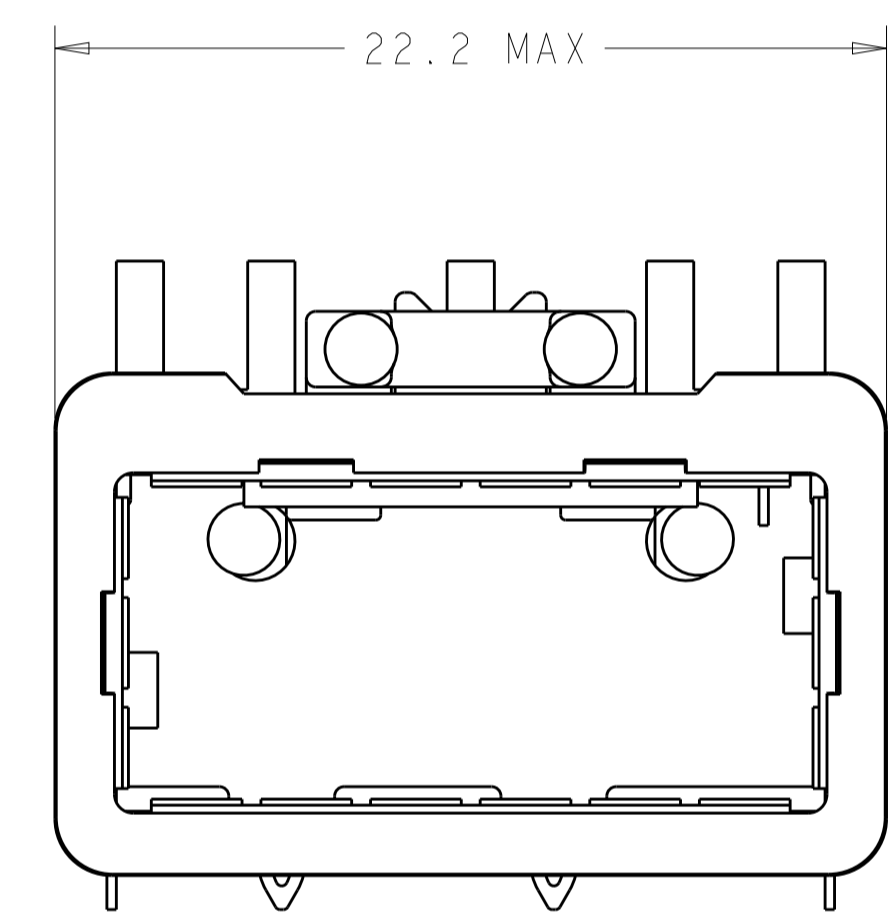


LOC	DIST	REVISIONS					
GP	00	P	LTN	DESCRIPTION	DATE	DWN	APVD
		2		PRELIMINARY	20JUN2011	AL	CW
		3		REVISED PER ECO-14-018993	3MAR2015	RG	MC

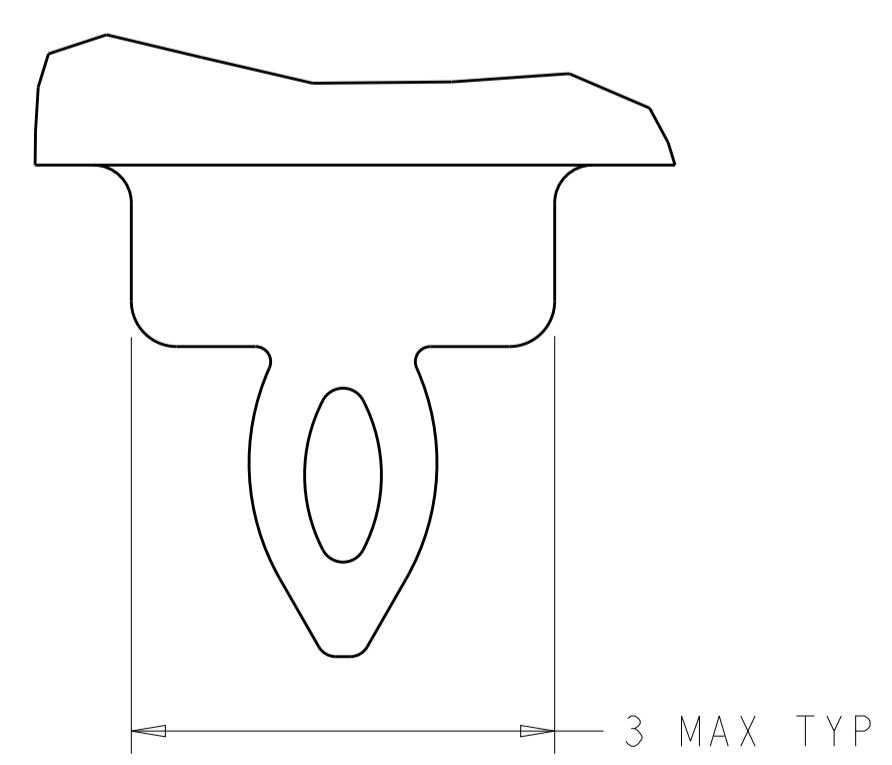


- △ CAGE MATERIAL: NICKEL SILVER, 0.25 THICK
 HEAT SINK MATERIAL: ALUMINUM
 HEAT SINK CLIP MATERIAL: STAINLESS STEEL
 EMI SPRING MATERIAL: COPPER ALLOY
 FRONT FLANGE MATERIAL: ZINC ALLOY
- △ MINIMUM PITCH DIMENSION.
- 3. MATES WITH QSFP MSA COMPATIBLE TRANSCEIVER.
- △ REFERENCE APPLICATION SPEC 114-13218 FOR RECOMMENDED DRILL HOLE DIAMETER AND PLATING THICKNESS.
- △ DATUMS AND BASIC DIMENSIONS ESTABLISHED BY CUSTOMER.
- △ DIMENSION C IS THE NOMINAL THICKNESS OF CUSTOMER SUPPLIED PC BOARD.
 SINGLE SIDED PC BOARD MINIMUM THICKNESS: 1.45
 DOUBLE SIDED PC BOARD MINIMUM THICKNESS: 2.7.
- △ HEAT SINK AND CLIP AND LIGHT PIPE SHIPPED ASSEMBLED TO CAGE ASSEMBLY CAGE ASSEMBLY MAY BE PRESSED INTO THE PCB AS SHIPPED.
- △ DATUM -A- IS TOP SURFACE OF HOST BOARD.
- △ SURFACE TRACES PERMITTED WITHIN THIS AREA EXCEPT WHERE CAGE STANDOFFS, SHOWN IN DETAIL J, CONTACT PC BOARD.
- △ DIMENSION APPLIES WITH MODULE INSTALLED IN THE CAGE.
- △ DATE CODE (YYWW) MARKED ON TOP OF CAGE AND CONCEALED BY HEAT SINK APPLIES TO CAGE ASSEMBLY ONLY.
- △ EMI SPRING FINISH: 2um MIN TIN.
 FRONT FLANGE FINISH: 3um MIN TIN OVER 1.27um MIN NICKEL OVER 5.08um MIN COPPER.
 HEAT SINK FINISH: 0.076um MIN NICKEL PLATING.
- 13. PRODUCT HAS NOT COMPLETED QUALIFICATION TESTING.

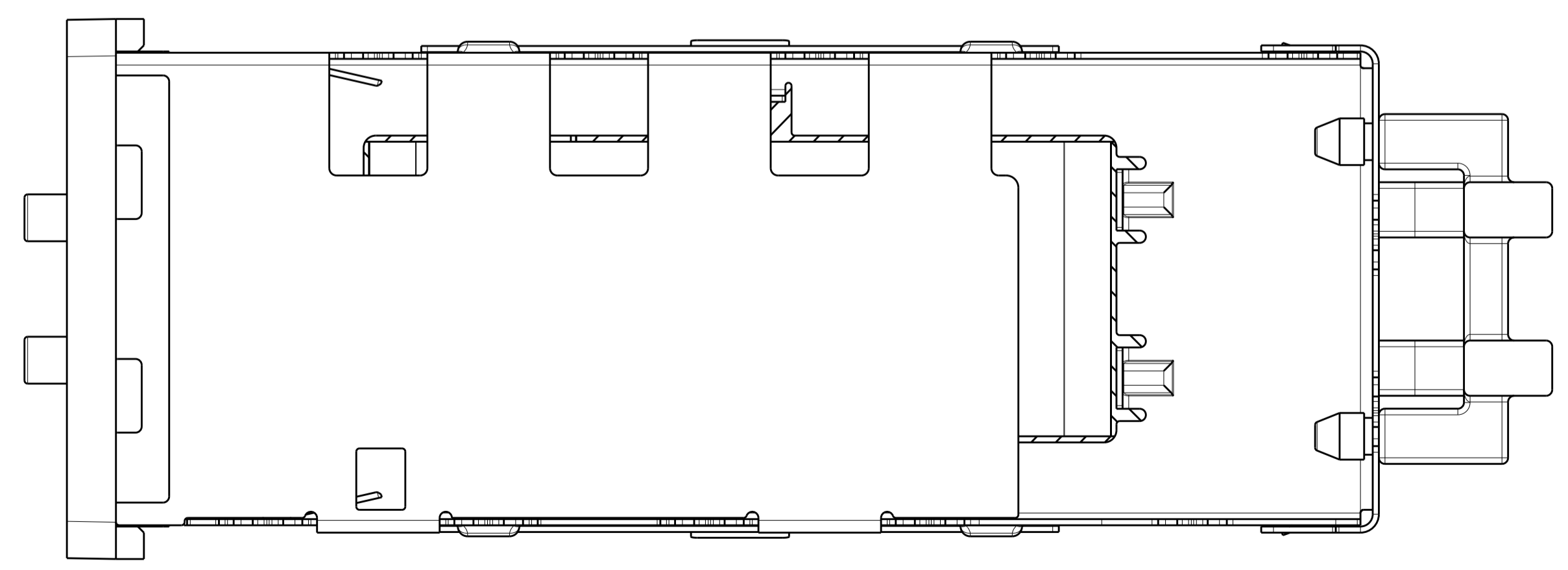


2170112-2 AS SHOWN

SEE DETAIL J



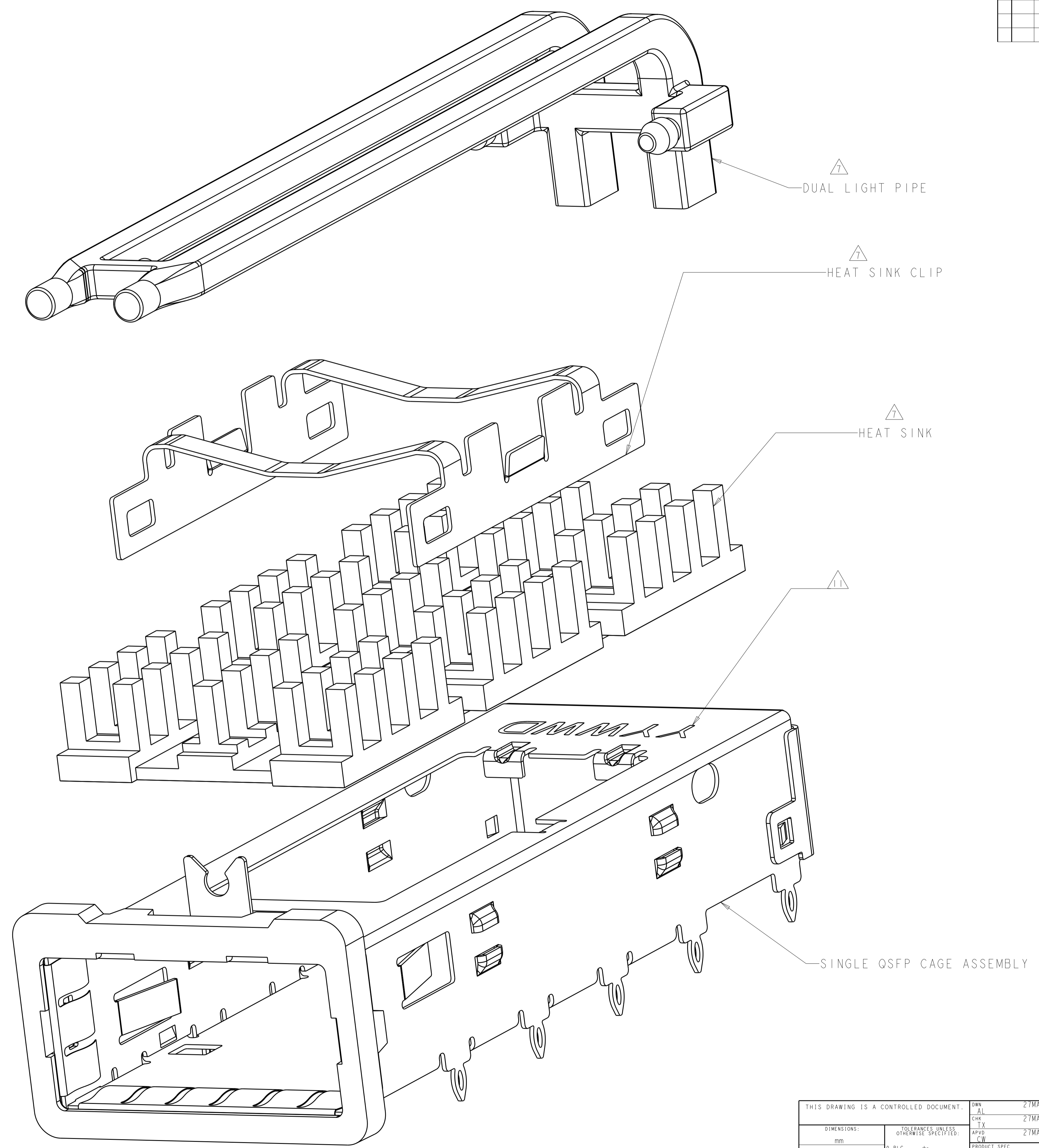
DETAIL J △
 SCALE 20:1



23.0	NETWORKING HEAT SINK	2170112-3
16.0	SAN HEAT SINK (SHOWN)	2170112-2
13.7	PCI HEAT SINK	2170112-1
A	DESCRIPTION	PART NUMBER

THIS DRAWING IS A CONTROLLED DOCUMENT.		DWN: AL 27MAY2011	STE TE Connectivity	
DIMENSIONS: mm		CHK: TX 27MAY2011		
TOLERANCES UNLESS OTHERWISE SPECIFIED:		APVD: CW 27MAY2011	NAME: 1X1 CAGE ASSEMBLY, BEHIND BEZEL WITH HEAT SINK AND DUAL LIGHT PIPE QSFP	
0 PLC ±0.5	1 PLC ±0.13	PRODUCT SPEC 108-2286	SIZE: CAGE CODE DRAWING NO. RESTRICTED TO	
2 PLC ±0.013	3 PLC ±0.001	APPLICATION SPEC 114-13218	A100779C=2170112	
4 PLC ±0.0001	ANGLES ±	WEIGHT	Customer Drawing	
FINISH: △2		SCALE 5:1 SHEET 1 OF 5 REV 3		

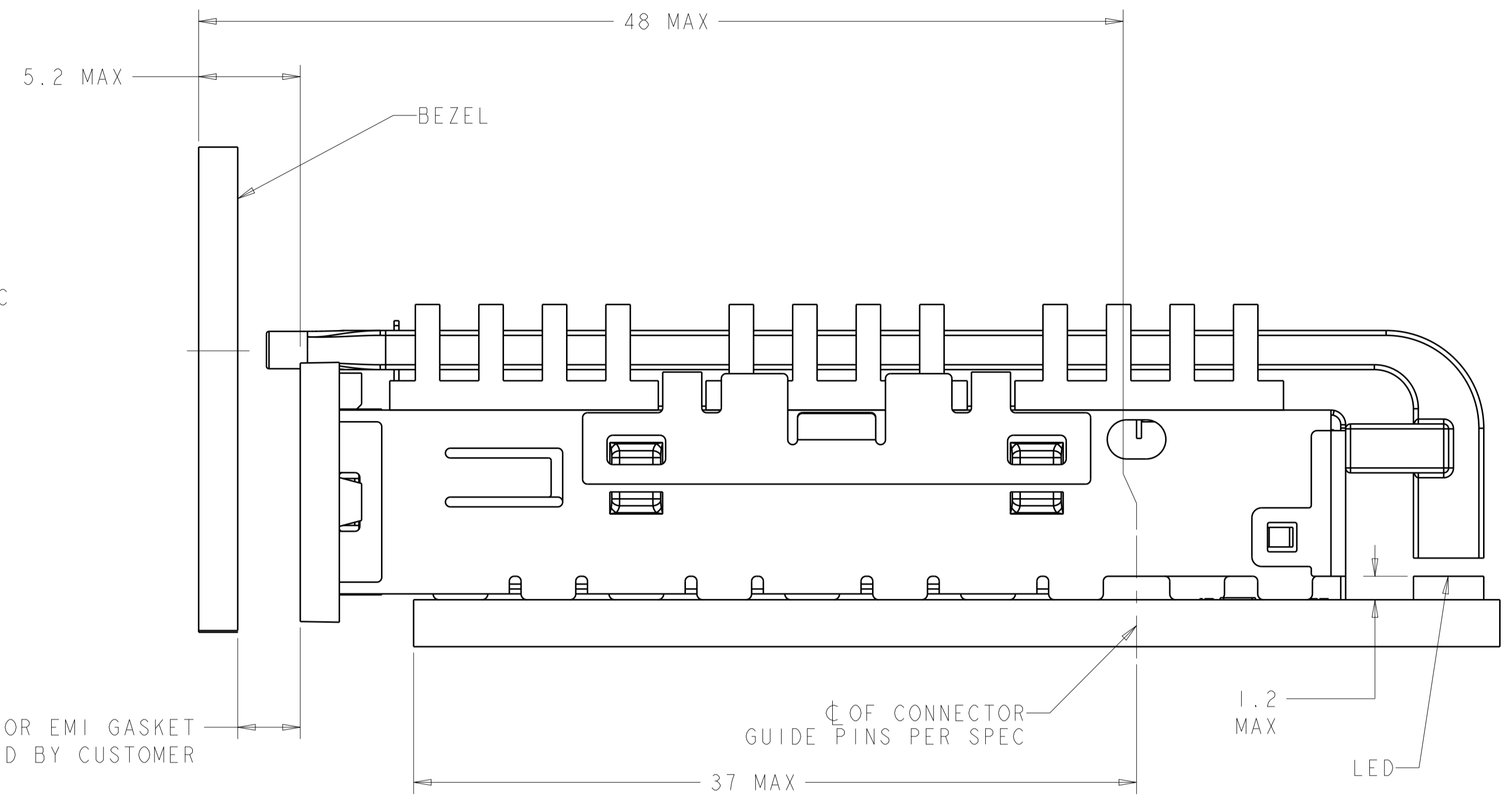
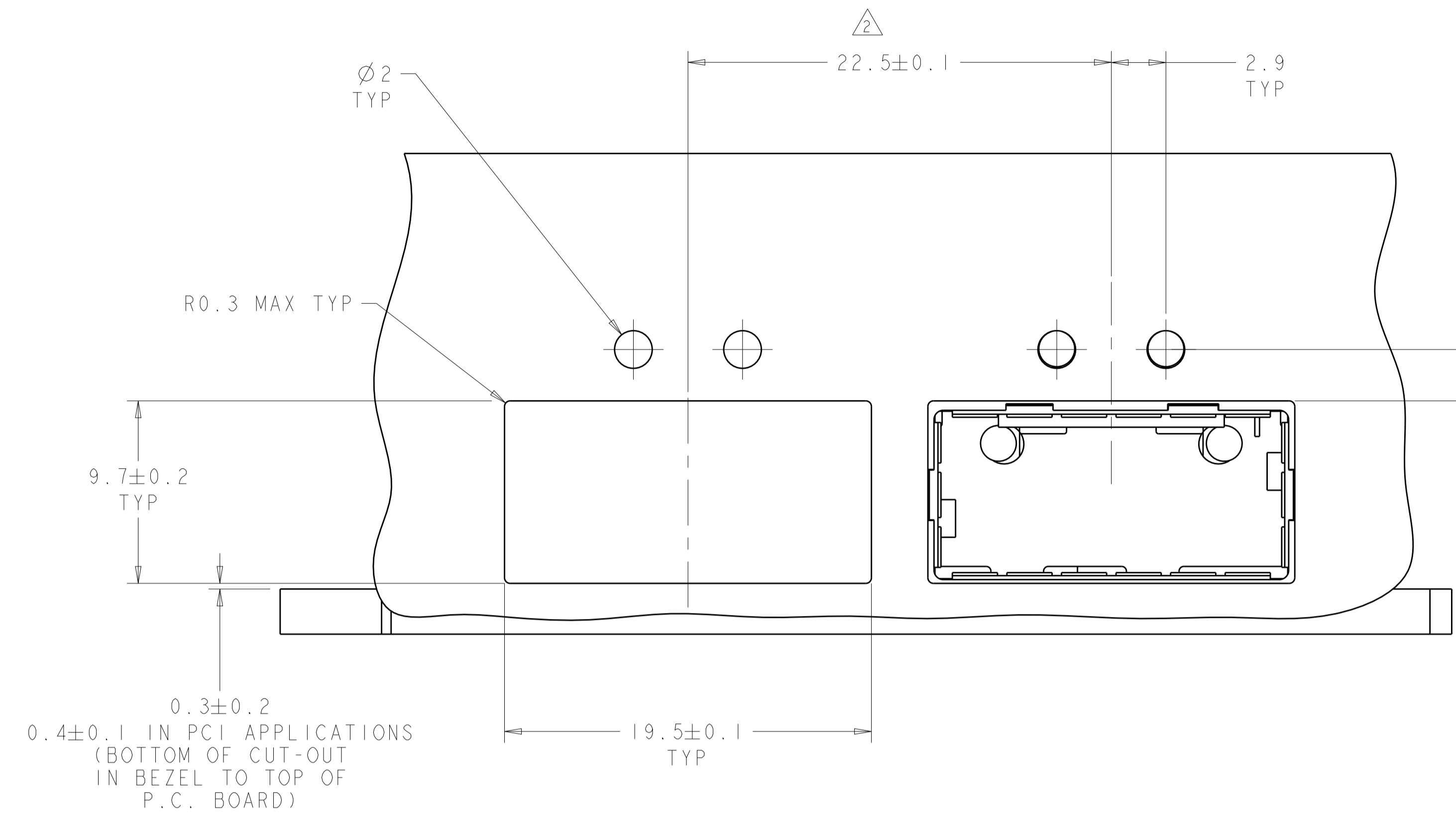
LOC	DIST	REVISIONS			
P	LTN	DESCRIPTION	DATE	DWN	APVD
GP	00	SEE SHEET 1	-	-	-



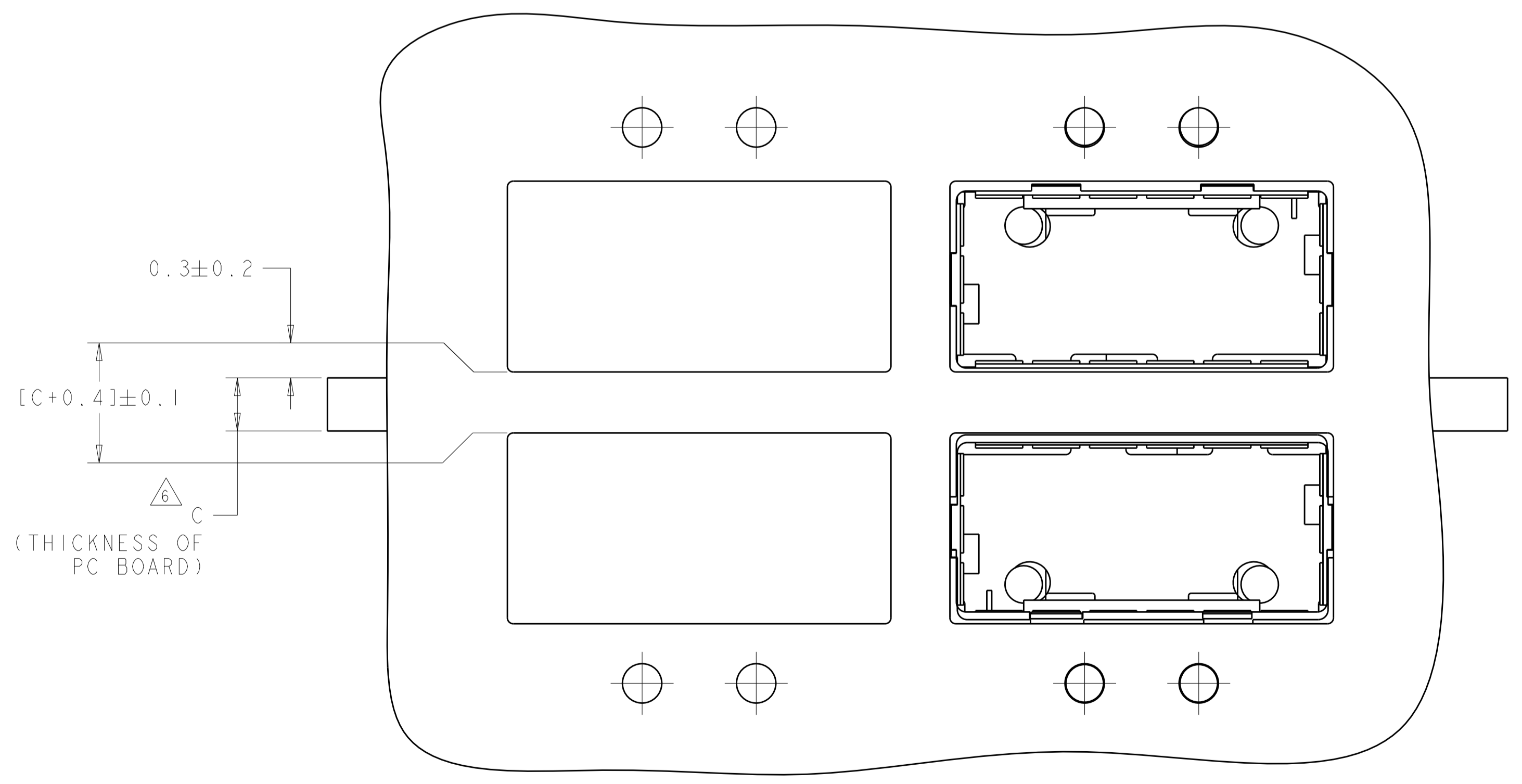
EXPLODED VIEW
 SCALE 8:1

THIS DRAWING IS A CONTROLLED DOCUMENT.		DWN: AL 27MAY2011	STE TE Connectivity
		CHK: TX 27MAY2011	
DIMENSIONS: mm		APVD: CW 27MAY2011	NAME: 1XI CAGE ASSEMBLY, BEHIND BEZEL WITH HEAT SINK AND DUAL LIGHT PIPE QSPF
TOLERANCES UNLESS OTHERWISE SPECIFIED:		PRODUCT SPEC: 108-2286	
0 PLC ±0.5		APPLICATION SPEC: 114-13218	SIZE: A100779 C=2170112
2 PLC ±0.13		WEIGHT: -	
3 PLC ±0.013		RESTRICTED TO: -	SCALE: 5:1 SHEET 2 OF 5 REV 3
4 PLC ±0.001		Customer Drawing	
ANGLES ±0.0001			
FINISH: -			

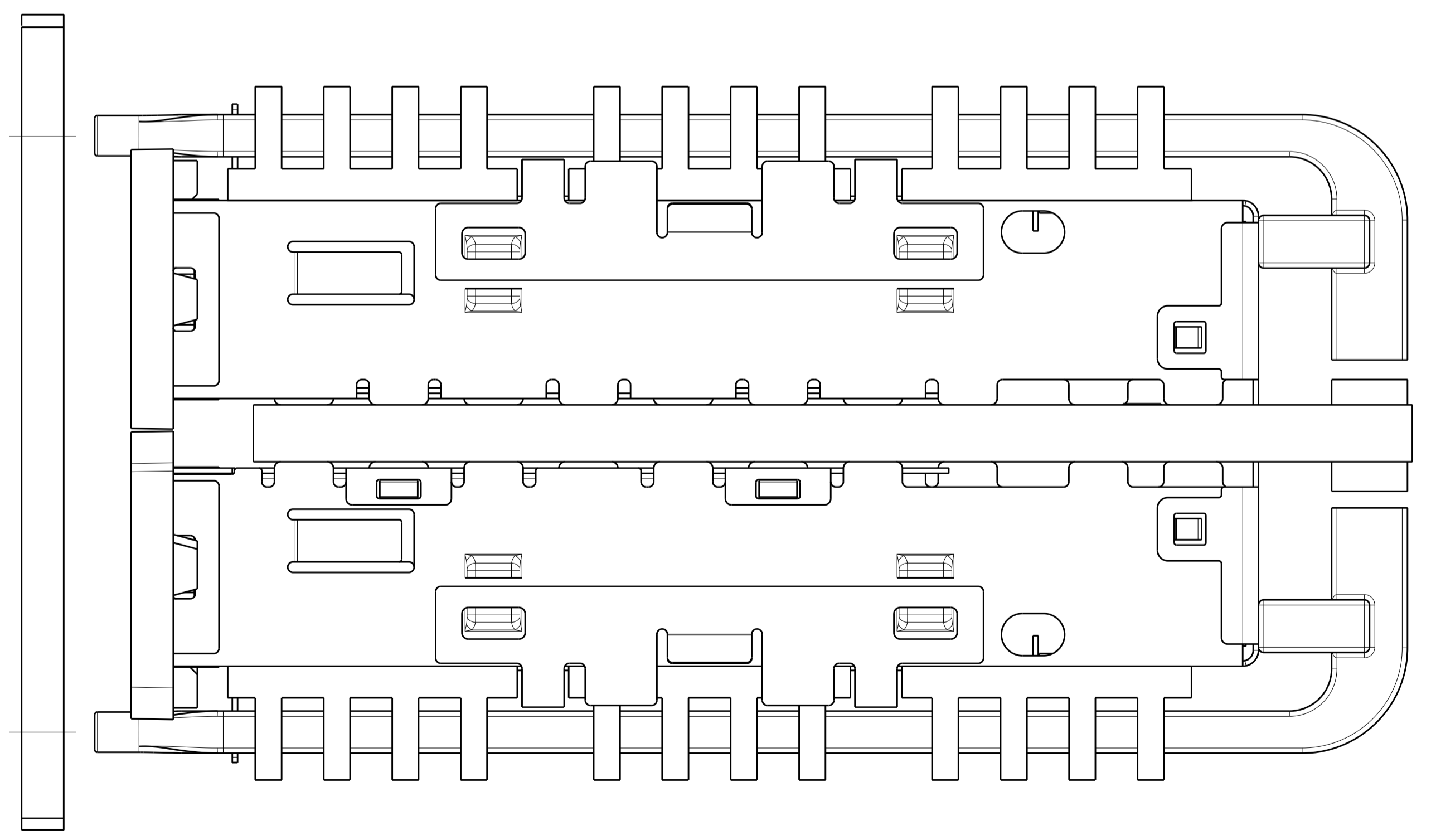
LOC	DIST	REV	DATE	BY	APPD
GP	00				
REVISIONS					



ONE SIDED CONFIGURATION



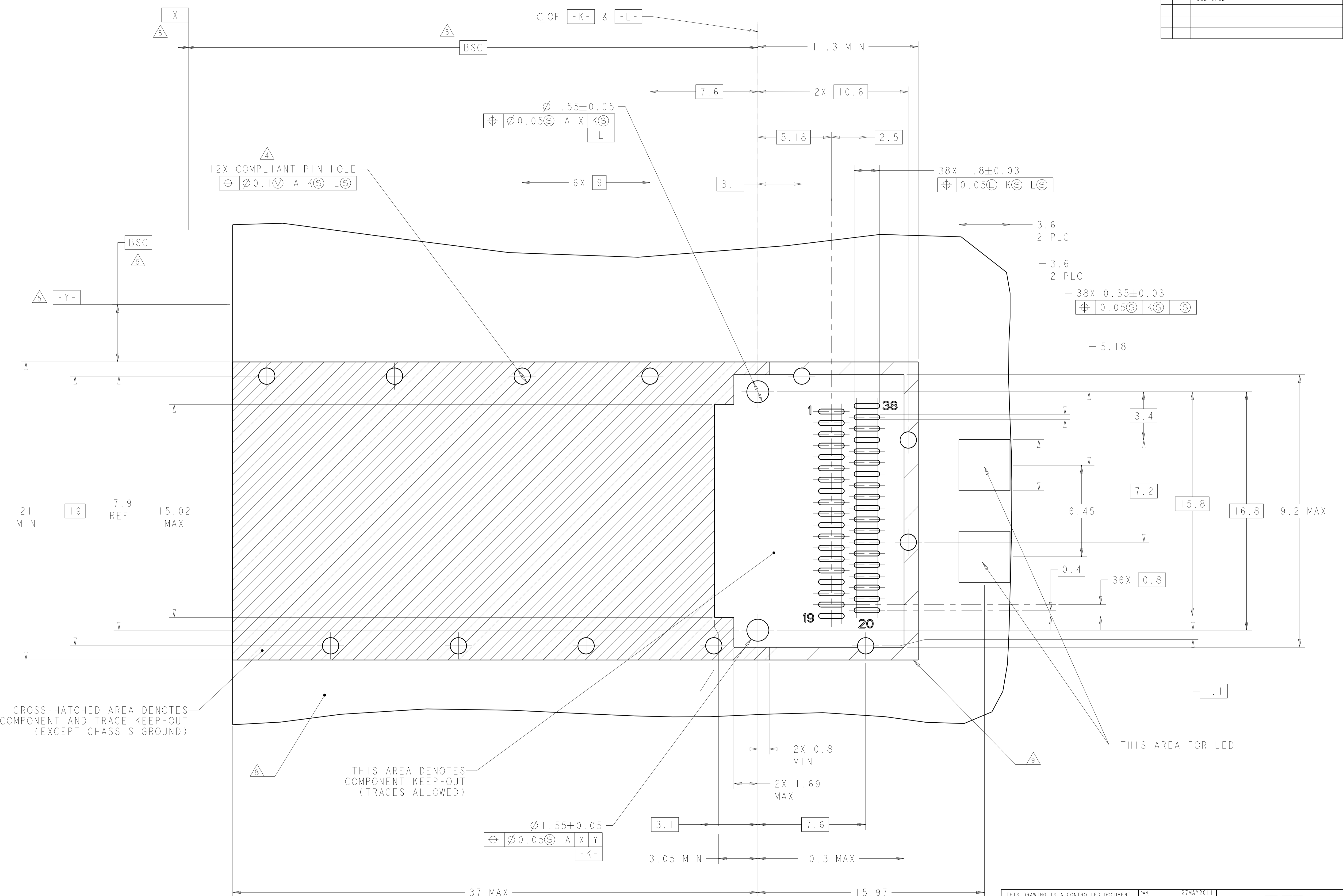
BELLY TO BELLY CONFIGURATION
SIMILAR TO ONE SIDED EXCEPT
WHERE NOTED



THIS DRAWING IS A CONTROLLED DOCUMENT.		OWN: JAL	27MAY2011	STE TE Connectivity
DIMENSIONS: mm		CHK: TX	27MAY2011	
TOLERANCES UNLESS OTHERWISE SPECIFIED:		APPD: CW	27MAY2011	NAME: 1XI CAGE ASSEMBLY, BEHIND BEZEL WITH HEAT SINK AND DUAL LIGHT PIPE QSFP
0 PLC ±0.5	1 PLC ±0.13	PRODUCT SPEC	108-2286	SIZE: CAGE CODE DRAWING NO
2 PLC ±0.13	3 PLC ±0.013	APPLICATION SPEC	114-13218	RESTRICTED TO
4 PLC ±0.0001	ANGLES ±0.0001	WEIGHT	-	A100779C=2170112
MATERIAL: -	FINISH: -	Customer Drawing	SCALE: 5:1	SHEET 3 OF 5
			REV: 3	

LOC	DIST	REV	DATE	BY	APPD
GP	00				

REVISIONS			
REV	DATE	BY	APPD
-	-	-	-
-	-	-	-



RECOMMENDED PCB LAYOUT
 SINGLE SIDED CONFIGURATION
 SCALE 8:1

CROSS-HATCHED AREA DENOTES
 COMPONENT AND TRACE KEEP-OUT
 (EXCEPT CHASSIS GROUND)

THIS AREA DENOTES
 COMPONENT KEEP-OUT
 (TRACES ALLOWED)

THIS AREA FOR LED

THIS DRAWING IS A CONTROLLED DOCUMENT.		OWN: 27MAY2011	TE Connectivity
DIMENSIONS: mm		CHK: 27MAY2011	
TOLERANCES UNLESS OTHERWISE SPECIFIED:		APPD: 27MAY2011	NAME: 1XI CAGE ASSEMBLY, BEHIND BEZEL WITH HEAT SINK AND DUAL LIGHT PIPE QSFP
0 PLC ±0.5	1 PLC ±0.13	PRODUCT SPEC: 108-2286	SIZE: CAGE CODE DRAWING NO: A100779C=2170112
2 PLC ±0.13	3 PLC ±0.013	APPLICATION SPEC: 114-13218	RESTRICTED TO: -
4 PLC ±0.0001	ANGLES ±0.0001	WEIGHT: -	SCALE: 4:1 SHEET 4 OF 5 REV 3
MATERIAL: -	FINISH: -	Customer Drawing	

